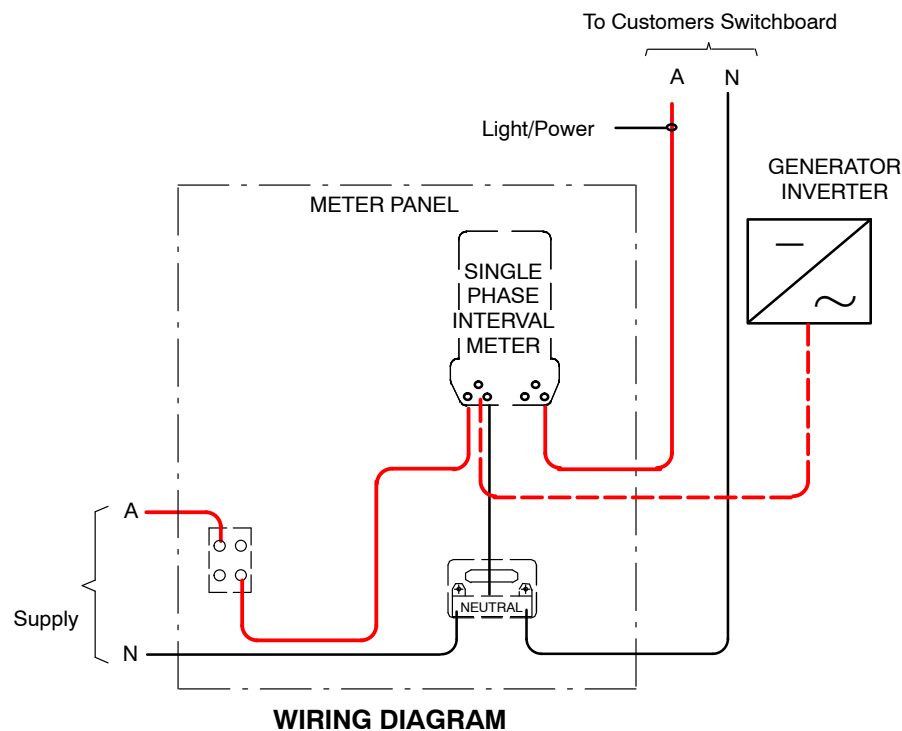


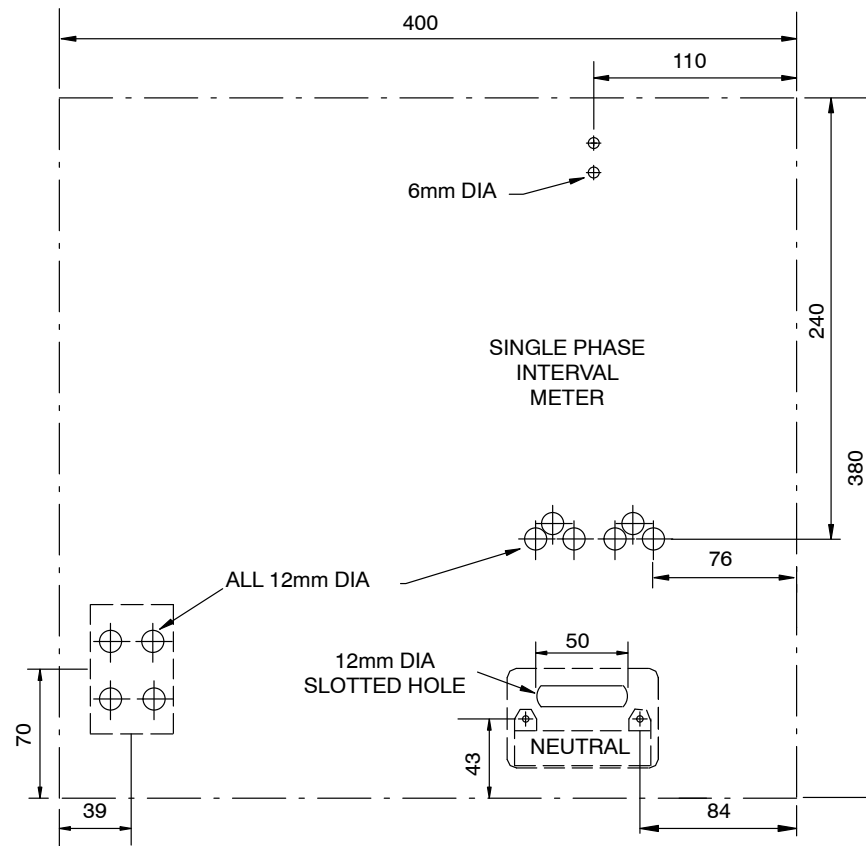
## JEMENA SINGLE PHASE INTERVAL METER – GROSS METERING: SINGLE PHASE LOAD & GENERATION



**WIRING DIAGRAM**

### Notes

1. Meter Panel fuses not required for an overhead supply.
2. All metering neutrals to be 4mm<sup>2</sup> minimum stranded conductors.
3. Refer to SIR's for metering obligations.
4. The installation shall be in accordance with AS4777.
5. Cable from Generator Inverter to be 4mm<sup>2</sup> stranded conductors.
6. Must be suitably labelled.
7. No load control available.

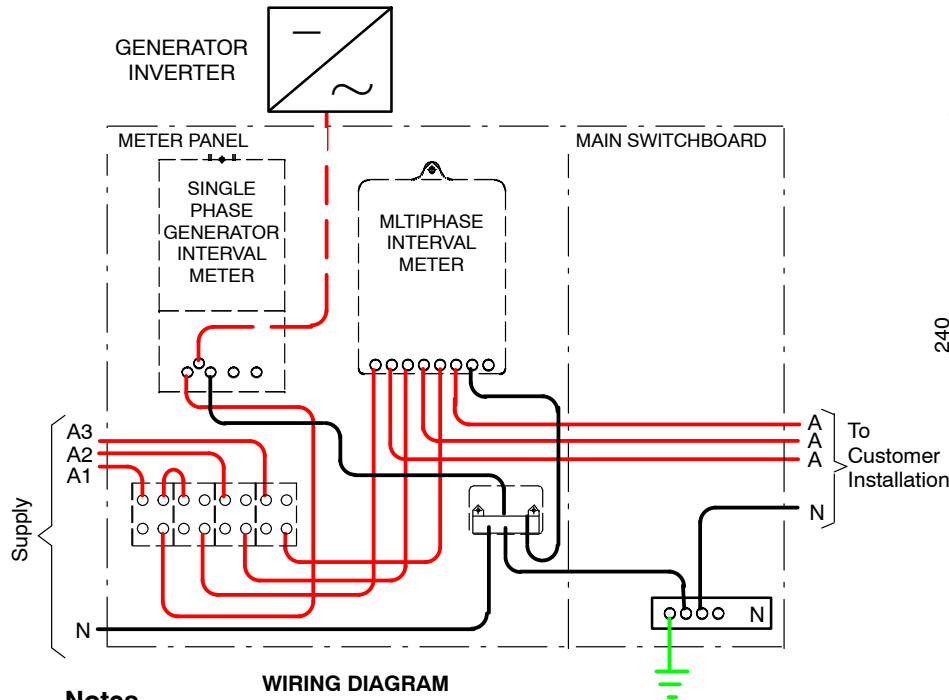


NOTE: ALL HOLES 3mm DIA UNLESS OTHERWISE SHOWN

**METER PANEL LAYOUT**

**GROSS METERING DETAILS FOR ONE CUSTOMER  
SINGLE PHASE LOAD WITH SINGLE PHASE GRID  
CONNECTED GENERATION  
PANEL SIZE 400mmW x 380mmH**

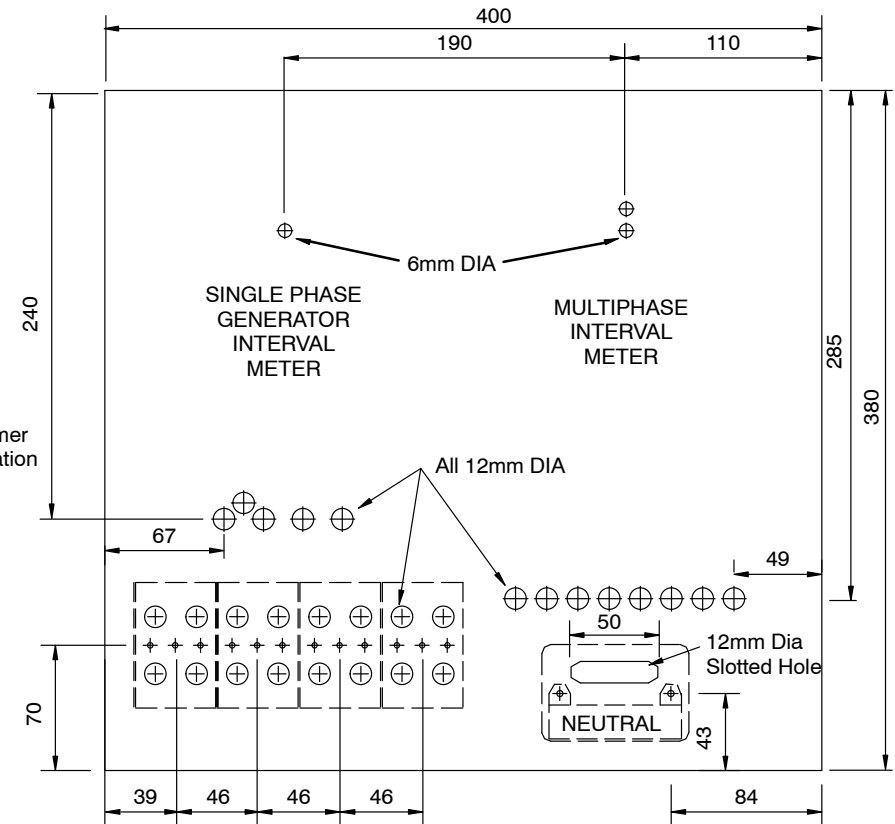
## JEMENA GROSS METERING SINGLE PHASE GENERATION & MULTIPHASE LOAD



WIRING DIAGRAM

### Notes

1. Meter panel fuses are required for each customer in overhead or underground supply areas.
2. All metering neutrals to be 4mm<sup>2</sup> minimum stranded conductors.
3. Refer to SIR's for metering obligations.
4. The installation shall be in accordance with AS4777.
5. Where a constant 3 Phase load in excess of 80A per phase is expected, the meter panel fuses should be spaced not less than 20mm apart. In some cases, to accommodate this spacing, a larger meter panel may be necessary.
6. Cable from Generator Inverter to be 4mm<sup>2</sup> stranded conductors.
7. No load control available.
8. Must be suitably labelled.

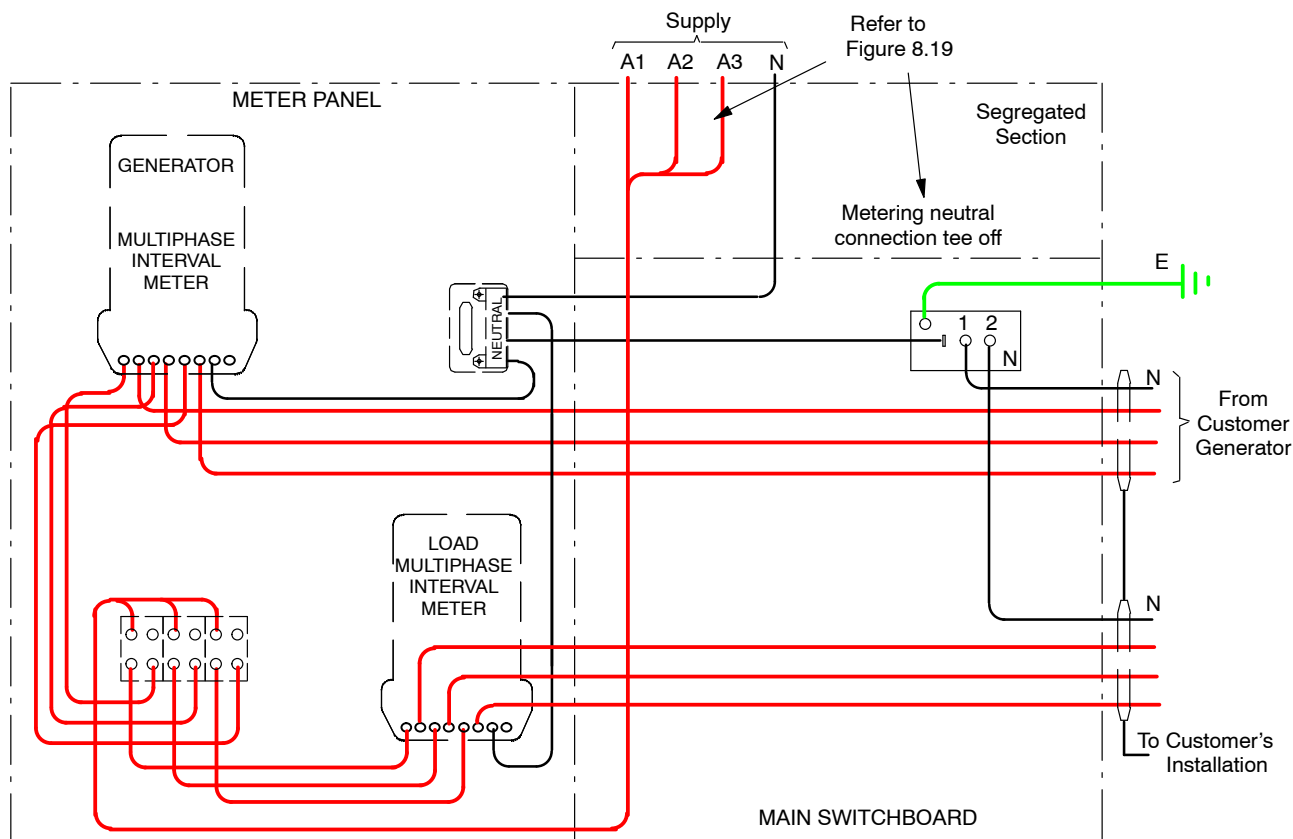


NOTE: ALL HOLES 3mm DIA UNLESS OTHERWISE SHOWN

### METER PANEL LAYOUT

**GROSS METERING DETAILS FOR ONE CUSTOMER  
MULTIPHASE INTERVAL METER FOR CUSTOMER LOAD  
AND SINGLE PHASE INTERVAL METER FOR SINGLE  
PHASE GRID CONNECTED GENERATION  
PANEL SIZE 400mmW x 380mmH**

## JEMENA MULTIPHASE INTERVAL METER – GROSS METERING: MULTIPHASE LOAD AND GENERATION

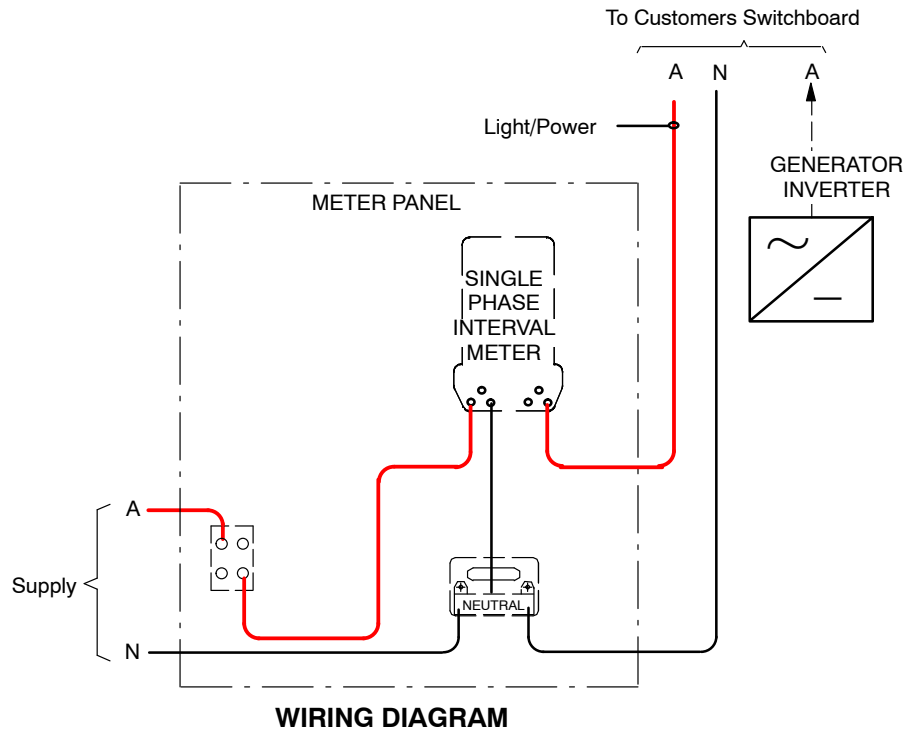


### Notes

1. All metering neutrals to be 4mm<sup>2</sup> minimum stranded conductors.
2. The installation shall be in accordance with AS4777.
3. Refer to SIR's for metering obligations.
4. Must be suitably labelled.
5. Where a constant 3 Phase load in excess of 80A per phase is expected, the meter panel fuses should be spaced not less than 20mm apart. In some cases, to accommodate this spacing, a larger meter panel may be necessary.
6. No load control available.

**GROSS METERING WIRING DIAGRAM FOR ONE  
CUSTOMER MULTIPHASE INTERVAL METER  
FOR CUSTOMER LOAD AND MULTIPHASE  
INTERVAL METER FOR MULTIPHASE GRID  
CONNECTED GENERATION  
PANEL SIZE 400mmW x 590mmH**

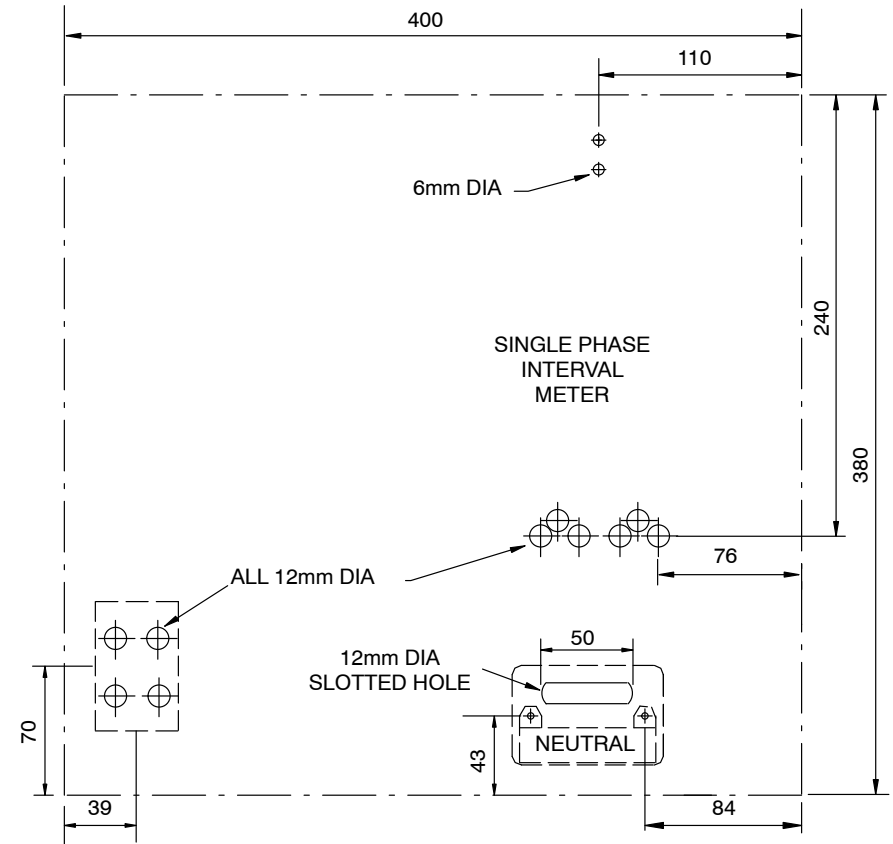
## JEMENA SINGLE PHASE INTERVAL METER – NET METERING: SINGLE PHASE LOAD AND GENERATION



**WIRING DIAGRAM**

### Notes

1. All metering neutrals to be 4mm<sup>2</sup> minimum stranded conductors.
2. The installation shall be in accordance with AS4777.
3. Refer to SIR's for metering obligations.
4. Must be suitably labelled.
5. No load control available.

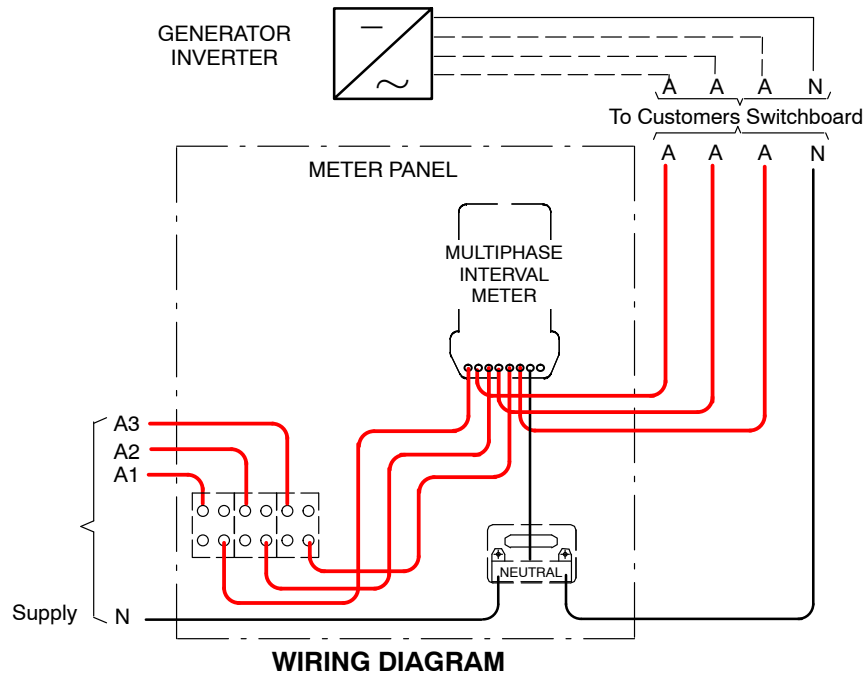


NOTE: ALL HOLES 3mm DIA UNLESS OTHERWISE SHOWN

**METER PANEL LAYOUT**

### NET METERING DETAILS FOR ONE CUSTOMER SINGLE PHASE LOAD WITH SINGLE PHASE GRID CONNECTED GENERATION

PANEL SIZE 400mmW x 380mmH

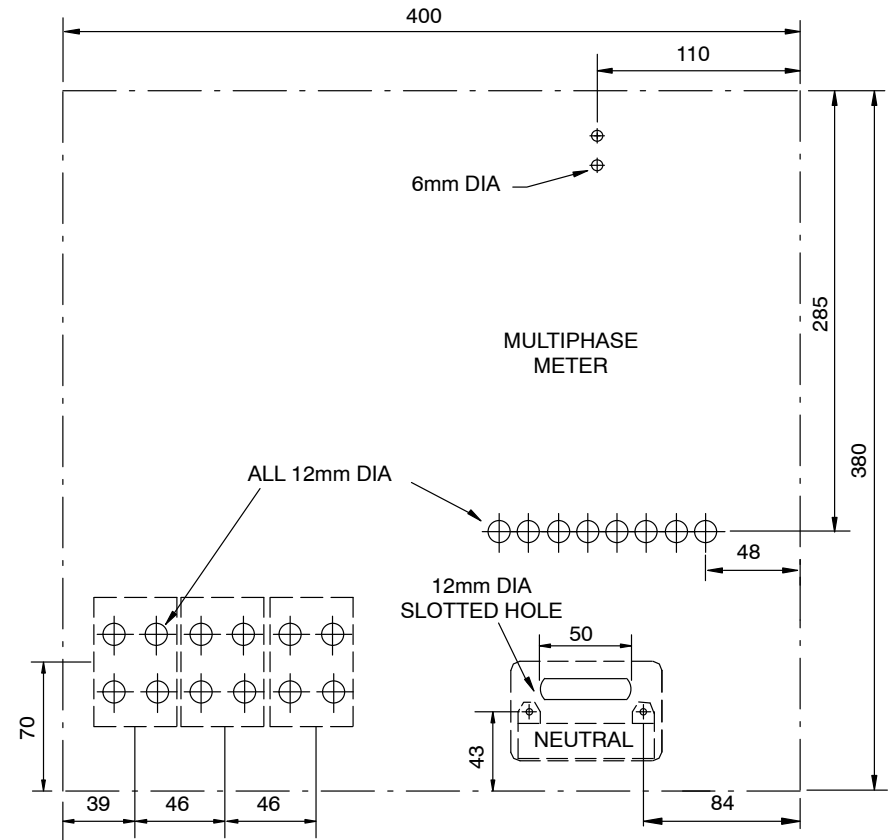


**Notes**

1. All metering neutrals to be 4mm<sup>2</sup> minimum stranded conductors.
2. The installation shall be in accordance with AS4777.
3. Refer to SIR's for metering obligations.
4. Must be suitably labelled.
5. Where a constant 3 Phase load in excess of 80A per phase is expected, the meter panel fuses should be spaced not less than 20mm apart.  
In some cases, to accommodate this spacing, a larger meter panel may be necessary.
6. No load control available.

**Jemena Co Gen 05**

**JEMENA MULTIPHASE INTERVAL METER  
- NET METERING: MULTIPHASE LOAD AND GENERATION**



NOTE: ALL HOLES 3mm DIA UNLESS OTHERWISE SHOWN

**NET METERING DETAILS FOR ONE CUSTOMER  
MULTIPHASE INTERVAL METER FOR MULTIPHASE  
CUSTOMER LOAD AND MULTIPHASE GRID  
CONNECTED GENERATION  
PANEL SIZE 400mmW x 380mmH**